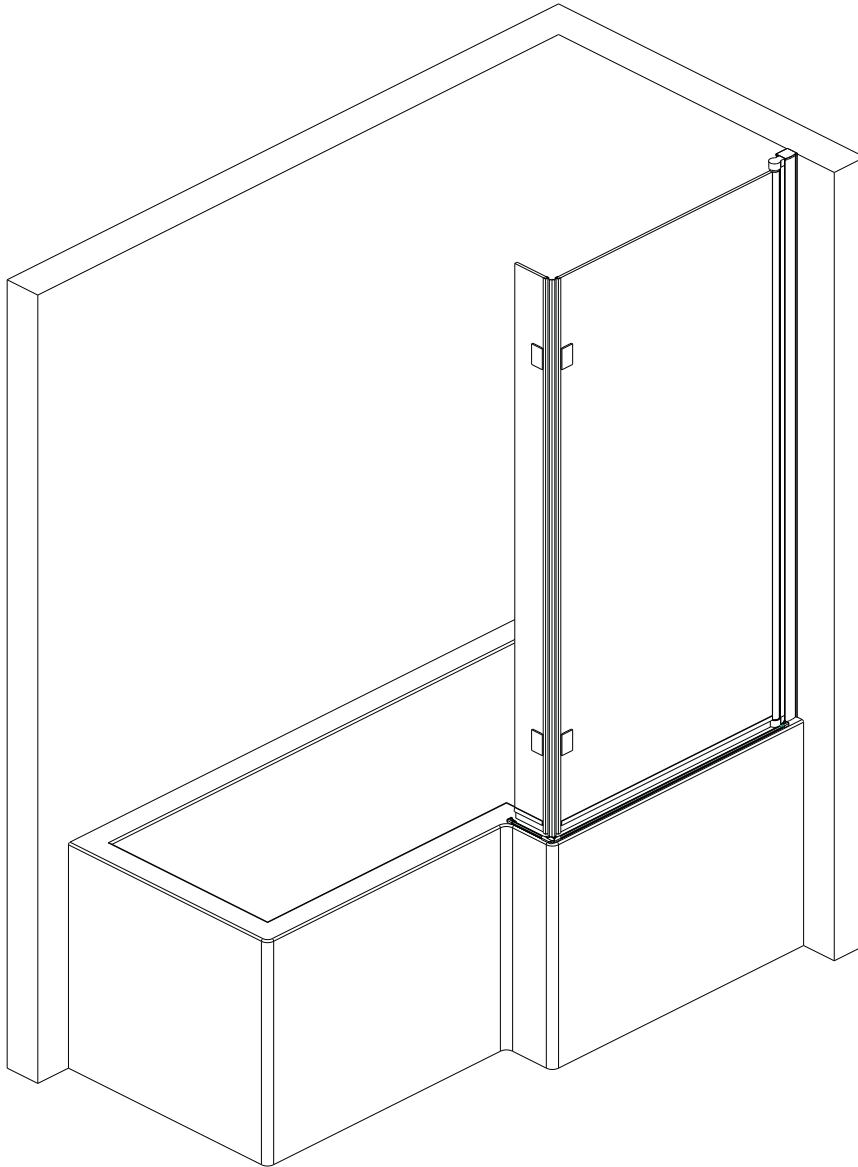


TISSINO

Messina Series

Hinged 8mm Shower Bath Screen



TSI-107-LH:- Left-hand fitting

TSI-107-RH:- Right-hand fitting (as shown above)

BEFORE YOU START, HERE IS SOME IMPORTANT INFORMATION

1) General Information

Please inspect this product upon delivery, any missing parts or manufacturing defects must be reported immediately to the supplier. Damage or defects reported later will not be accepted. **TAKE CARE WHEN HANDLING GLASS PARTS - AVOID HEAVY CONTACT BETWEEN THE GLASS EDGES AND ANY HARD SURFACE.**

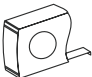


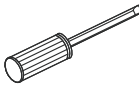
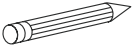
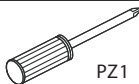

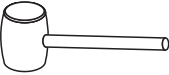


Glass breakage claims will not be accepted after the product has been unpacked.


Please note: Aluminium is a soft metal, and undergoes a series of extrusion, fabrication, polishing and anodising processes in order to create your finished shower enclosure. Some light surface marks are normal, and is a result of the manufacturing processes. Quality control has ensured that this item is of a good standard, and is fit for purpose.

2) Additional Notes

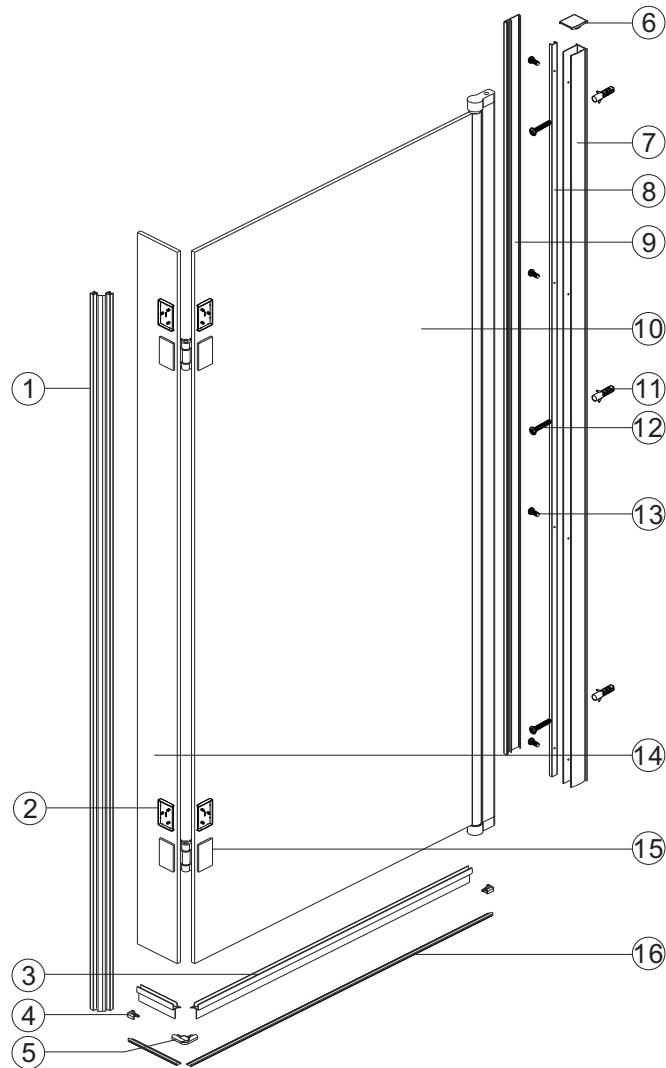
Please read these instructions carefully before starting installation.
Special care should be taken when drilling walls to avoid hidden pipes or electrical cables.
Note: this product is heavy and may require two people to install.

TOOLS REQUIRED

DESCRIPTION	PART IMAGE	DESCRIPTION	PART IMAGE
Tape measure		Drill	
Spirit level		Flat-head Screwdriver	
Pencil		Cross head Screwdriver	 PZ1
Ø6mm Drill bit		Mallet	
Ø3mm Drill bit		Silicone Sealant	

 This product is heavy and may require two people to install.

ASSEMBLY INSTRUCTIONS-DRAWING



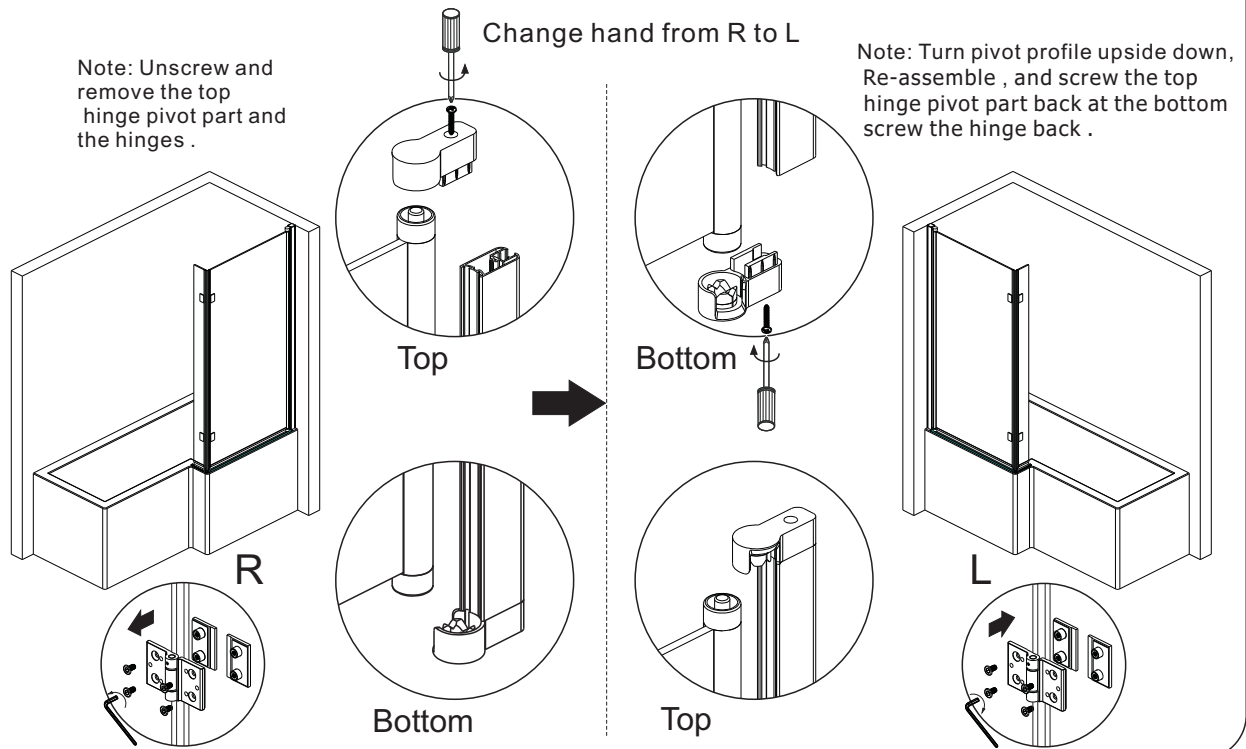
- (1) 1x Vertical Seal
- (2) 4x Cover Caps(Hinge)
- (3) 4x Bottom Seals (2 x RH & 2 x LH)
- (4) 2x End Cover Caps L&R
- (5) 1x Drip Strip Corner Cap
- (6) 2x Wall Profile Cover Caps L&R
- (7) 1x Wall Profile
- (8) 1x Seal
- (9) 1x Wall Profile Cover Strip
- (10) 1x Glass Screen A
- (11) 3x Wall Plugs
- (12) 3x Screws 4x30
- (13) 4x Screws 4x12
- (14) 1x Glass Screen B
- (15) 2x Hinges
- (16) 2x Drip Strip

ASSEMBLY INSTRUCTIONS

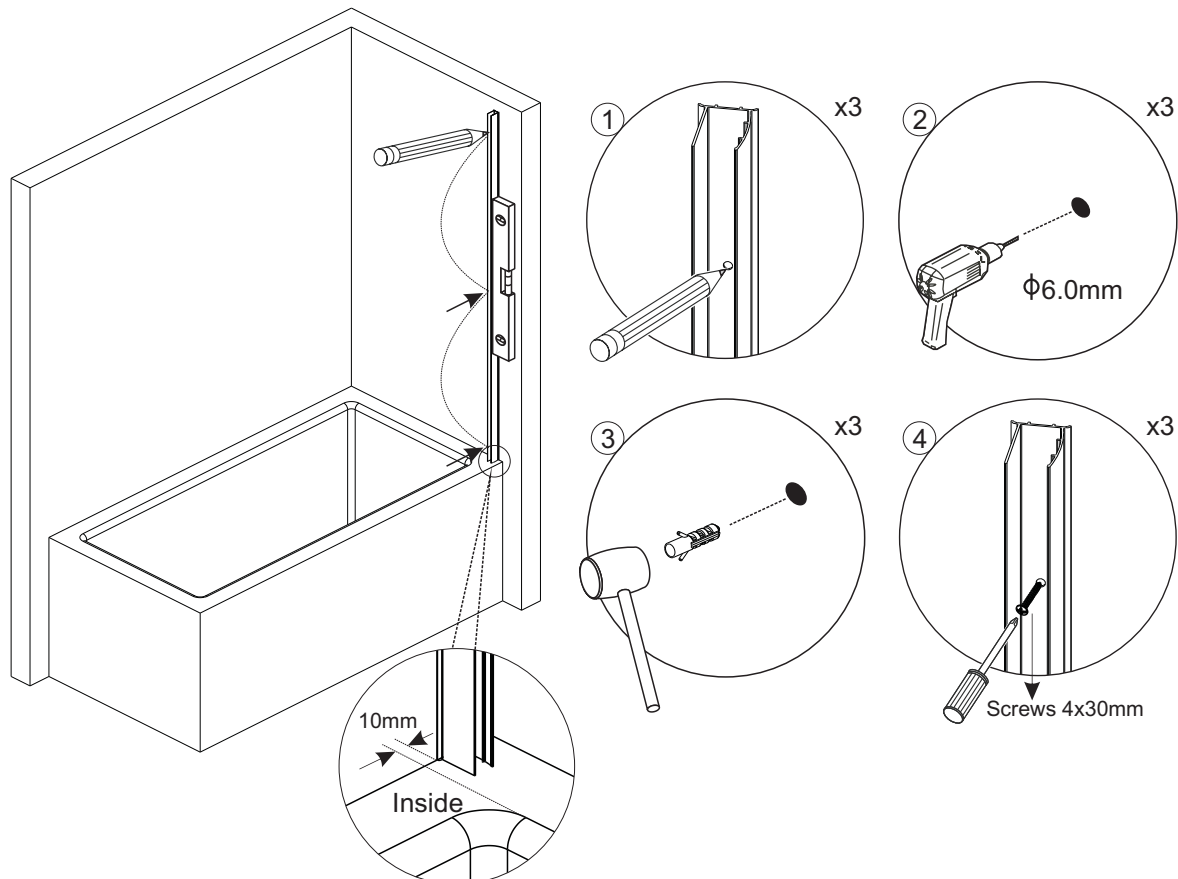
If you require help, we advise you to contact a competent plumber

Installation Steps

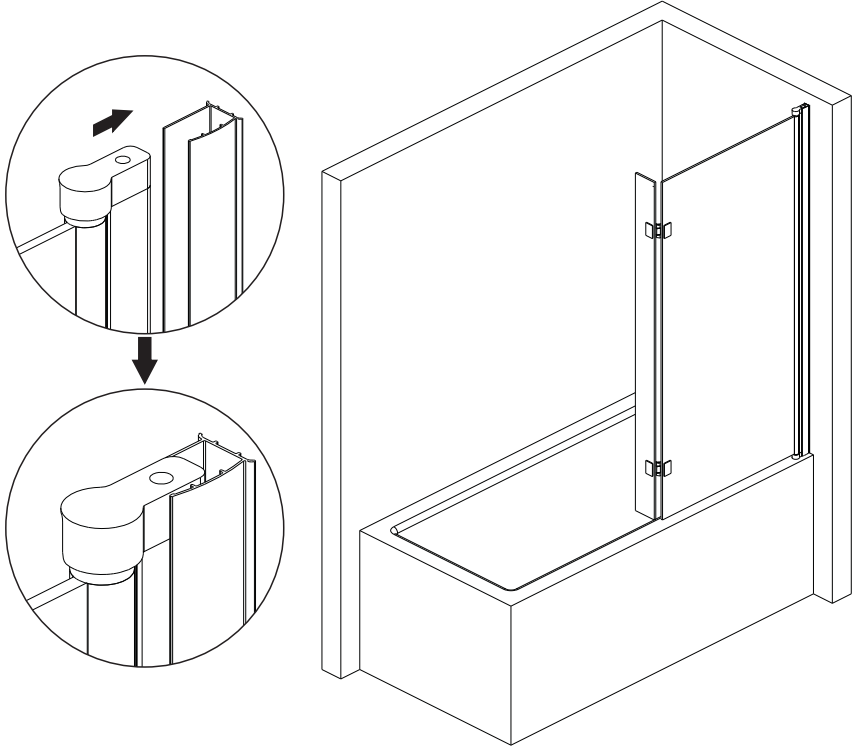
Step 1 Screens supplied for either left-hand or right-hand fitting. If required to change to the opposite hand fitting swap the pivots as shown below



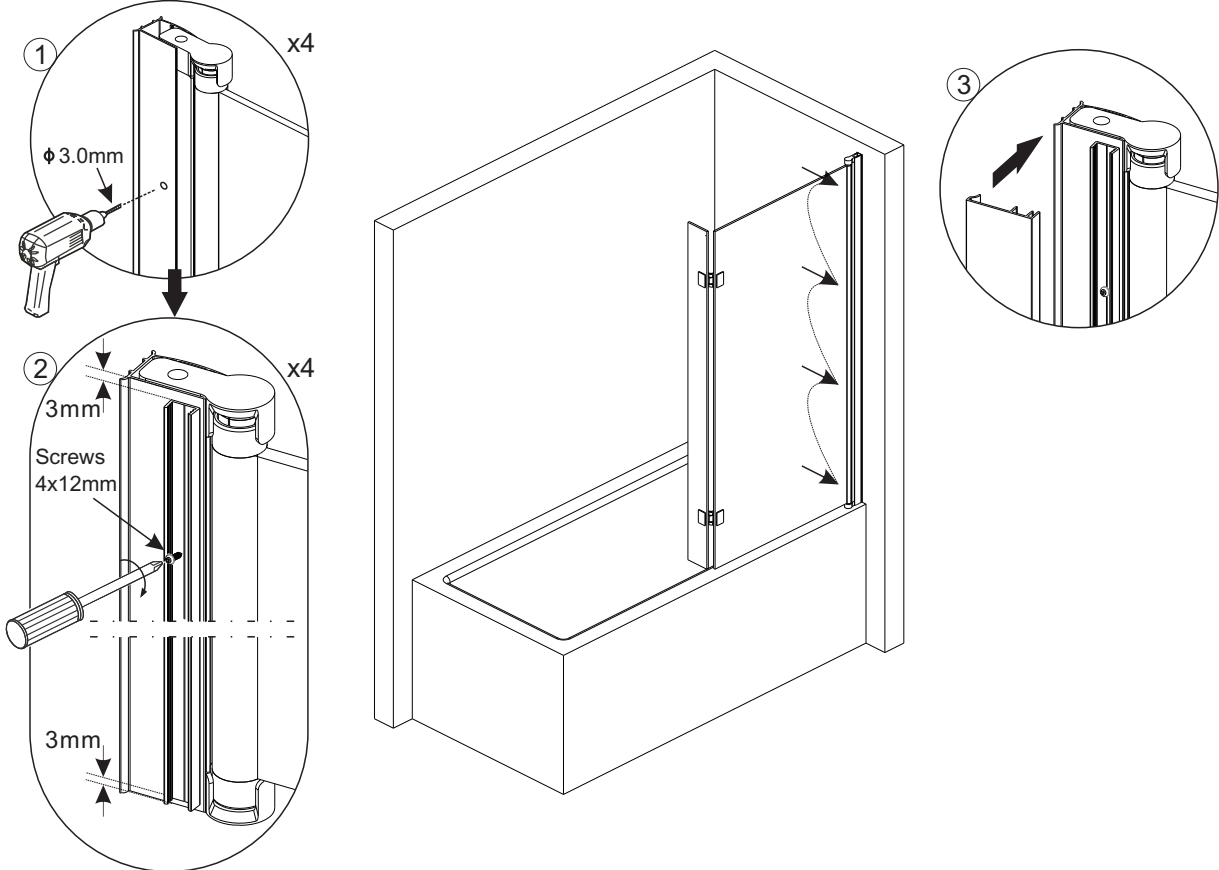
Step 2 MARK WALL FIXING POSITIONS AND DRILL WALL HOLE



Step 3 FITTING THE GLASS SCREEN

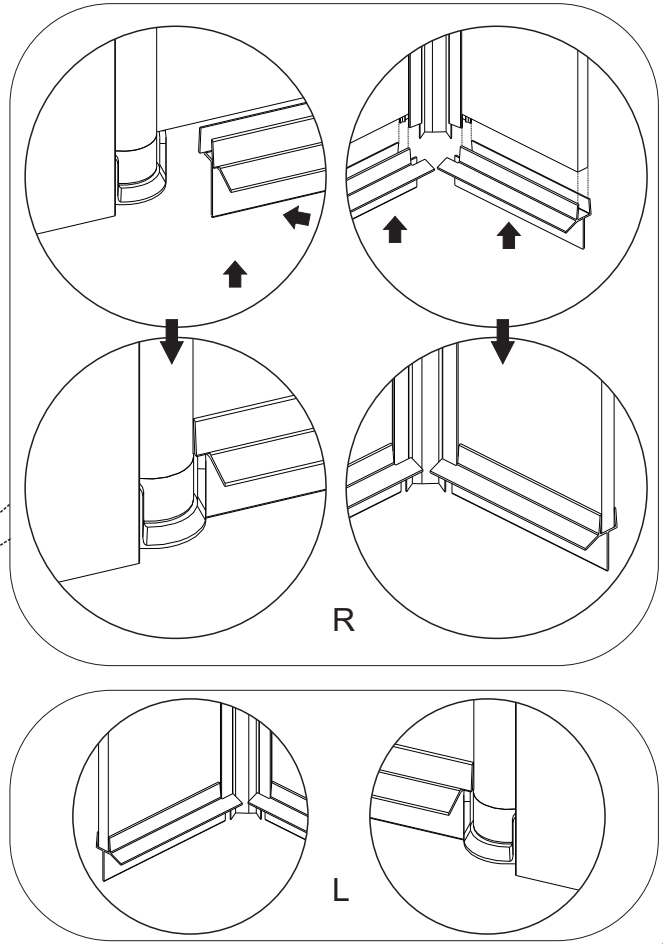
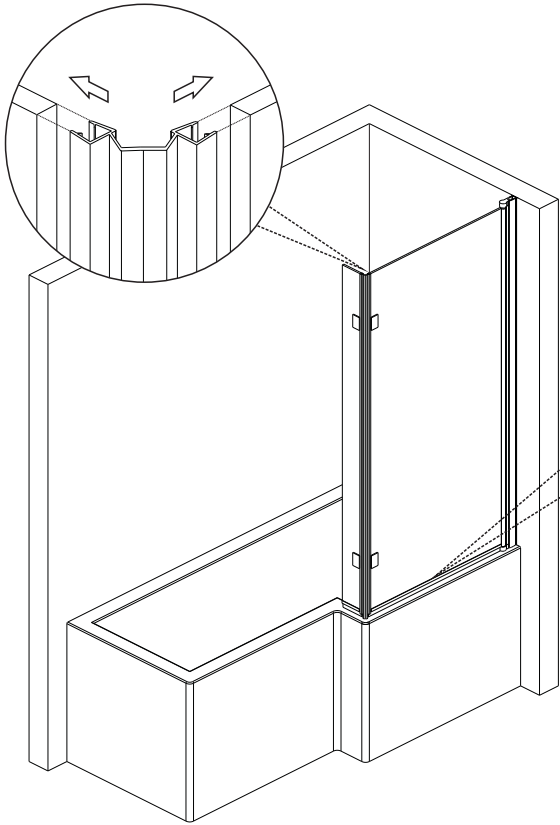


Step 4 FITTING THE WALL PROFILE COVER STRIP

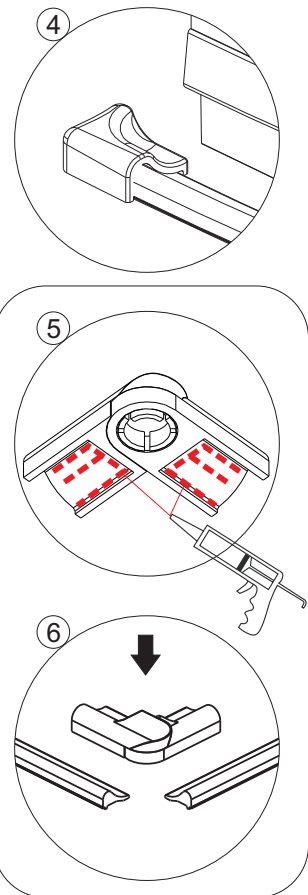
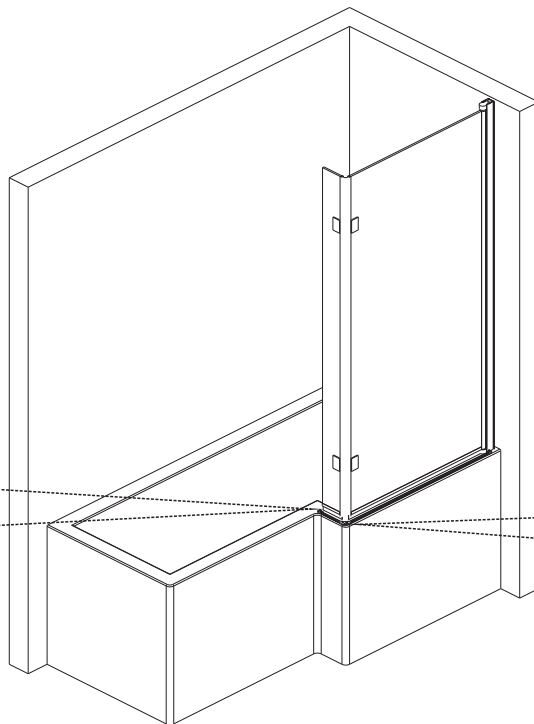
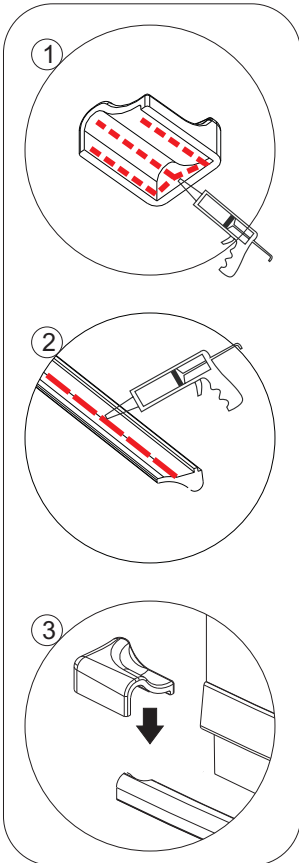


Ensure bottom of glass panel is parallel to bath ledge.

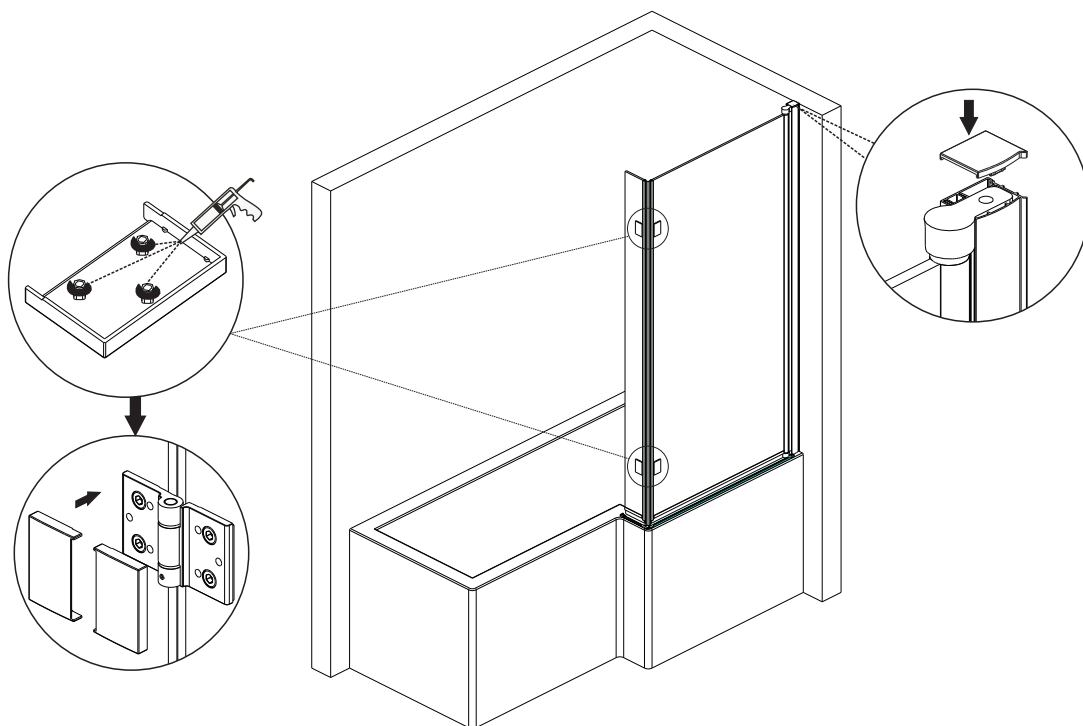
Step 5 FITTING THE SEAL



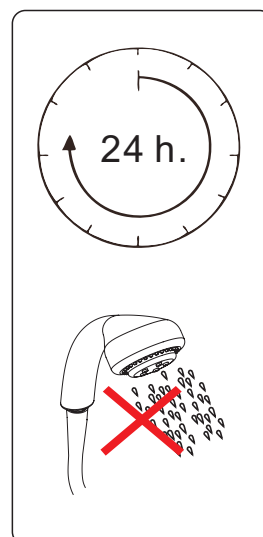
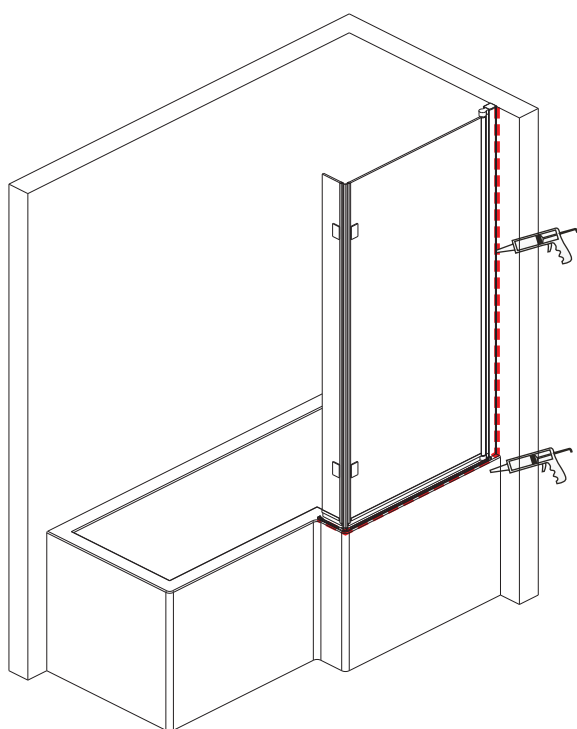
Step 6 INSTALLING THE DRIP STRIP AND THE COVER CAP



Step 7 FITTING THE COVER CAP



Step 8 SILICONE THE OUTSIDE EDGES



CARE AND MAINTENANCE

1) AFTER CARE INSTRUCTIONS


Regularly clean your shower product with warm soapy water to prevent lime scale build up. Do not use abrasive cleaning fluids or materials, or strong chemical cleaners as this will damage the product surface.

2) MAINTENANCE

Clean the plastic parts with a cloth and mild detergent. Never use any abrasive creams, dissolvents, acetone or detergents and disinfectants that contain chlorine. The supplier accepts no liability for any type of use of care other than those contained in these instructions. The supplier reserves the right to introduce technical changes without notice.

Quality Assured

Thank you for purchasing an item from the tissino range of products. The quality of the materials, components and workmanship that have created this product are of the highest standard. We strongly recommend that you use the services of a reputable and qualified plumber to install this product.

		
Tissino Limited Unit 2, Lyncastle Road, Appleton Thorn, Warrington, Cheshire, WA4 ASN, United Kingdom		
16		
EN 14428:2015 DOP No.:J160928001-1		
Shower enclosures with aluminium profiles and safety glass		
Essential characteristics	Performance	Harmonised technical specification
Cleanability	Pass	Clause 4.2 of EN 14428:2015
Impact resistance/shatter properties	Pass	Clause 4.3 of EN 14428:2015
Durability	Pass	Clause 4.4 of EN 14428:2015

tissino ltd

Tel:0345 582 8000

www.tissino.co.uk