



BEFORE YOU START, HERE IS SOME IMPORTANT INFORMATION

1) General Information

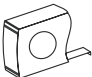


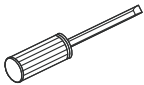
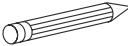
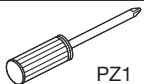

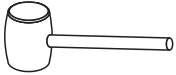

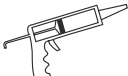
Please inspect this product upon delivery, any missing parts or manufacturing defects must be reported immediately to the supplier. Damage or defects reported later will not be accepted. **TAKE CARE WHEN HANDLING GLASS PARTS - AVOID HEAVY CONTACT BETWEEN THE GLASS EDGES AND ANY HARD SURFACE.** Glass breakage claims will not be accepted after the product has been unpacked.


Please note: Aluminium is a soft metal, and undergoes a series of extrusion, fabrication, polishing and anodising processes in order to create your finished shower enclosure. Some light surface marks are normal, and is a result of the manufacturing processes. Quality control has ensured that this item is of a good standard, and is fit for purpose.

2) Additional Notes

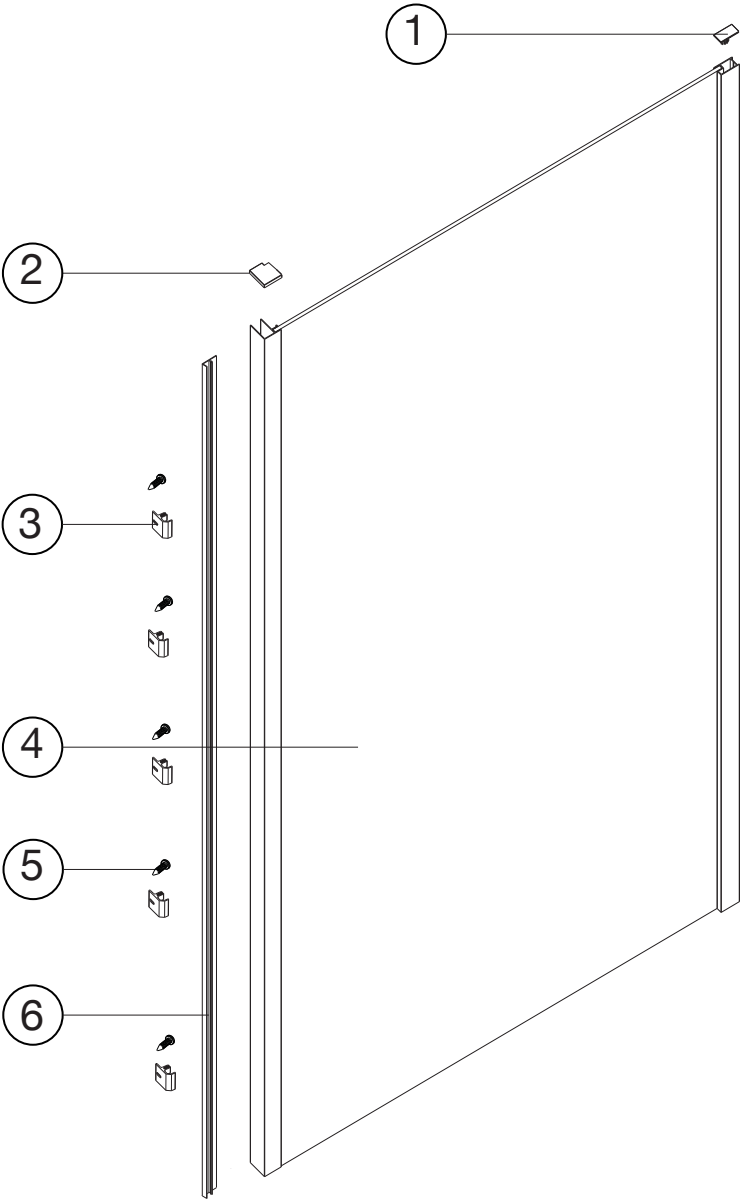
Please read these instructions carefully before starting installation. Special care should be taken when drilling walls to avoid hidden pipes or electrical cables. Note: this product is heavy and may require two people to install.

TOOLS REQUIRED

| DESCRIPTION | PART IMAGE | DESCRIPTION | PART IMAGE |
|----------------|---|------------------------|---|
| Tape measure |  | Drill |  |
| Spirit level |  | Flat-head Screwdriver |  |
| Pencil |  | Cross head Screwdriver |  |
| Ø6mm Drill bit |  | Mallet |  |
| Ø3mm Drill bit |  | Silicone Sealant |  |

 This product is heavy and may require two people to install.

ASSEMBLY INSTRUCTIONS-DRAWING



- (1) 1x Upright Profile Cover Cap
- (2) 2x Corner Post Cover Caps (L+R)
- (3) 5x Corner Post Cover Plastic Parts
- (4) 1x Fixed Panel
- (5) 5x Screws 4x12
- (6) 1x Corner Post Cover Strip

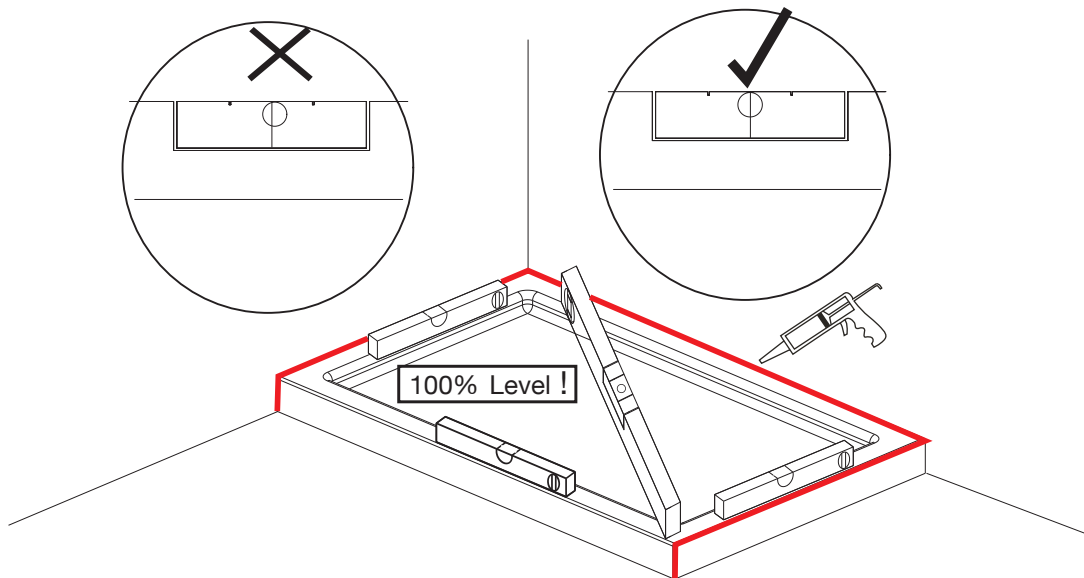
ASSEMBLY INSTRUCTIONS – SIDE PANEL FITTING

If you require help, we advise you to contact a competent plumber

NOTE: This product is fully reversible. To install the opposite hand to what is shown please reverse the installation method/turn upside down

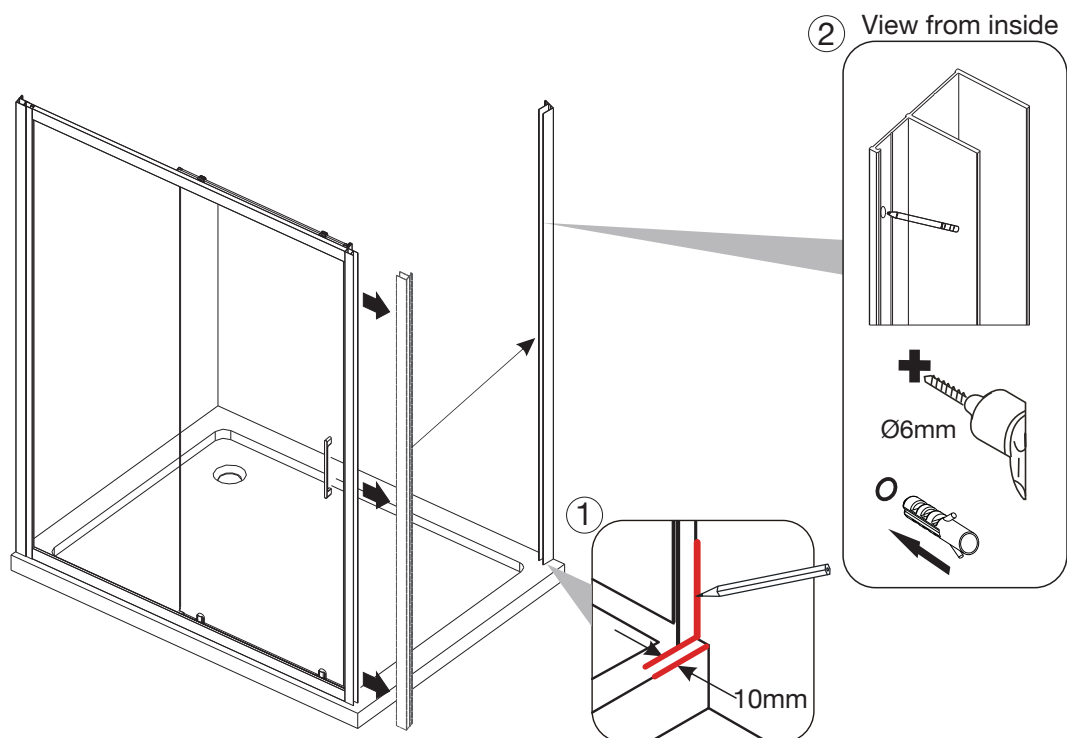
Installation Steps

Step 1 MAKE SURE THE TRAY IS LEVEL, USING A SPIRIT LEVEL, BEFORE INSTALLING THIS SHOWER PANEL / DOOR



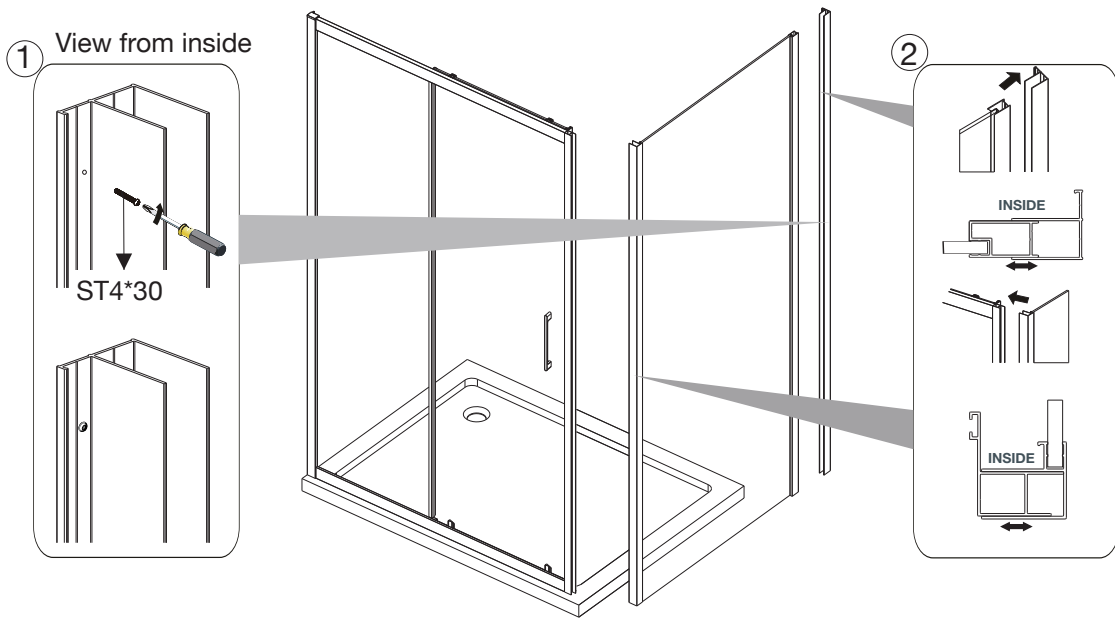
Step 2 MARK WALL FIXING POSITIONS AND DRILL WALL HOLE

Note – use this instruction together with the door instructions

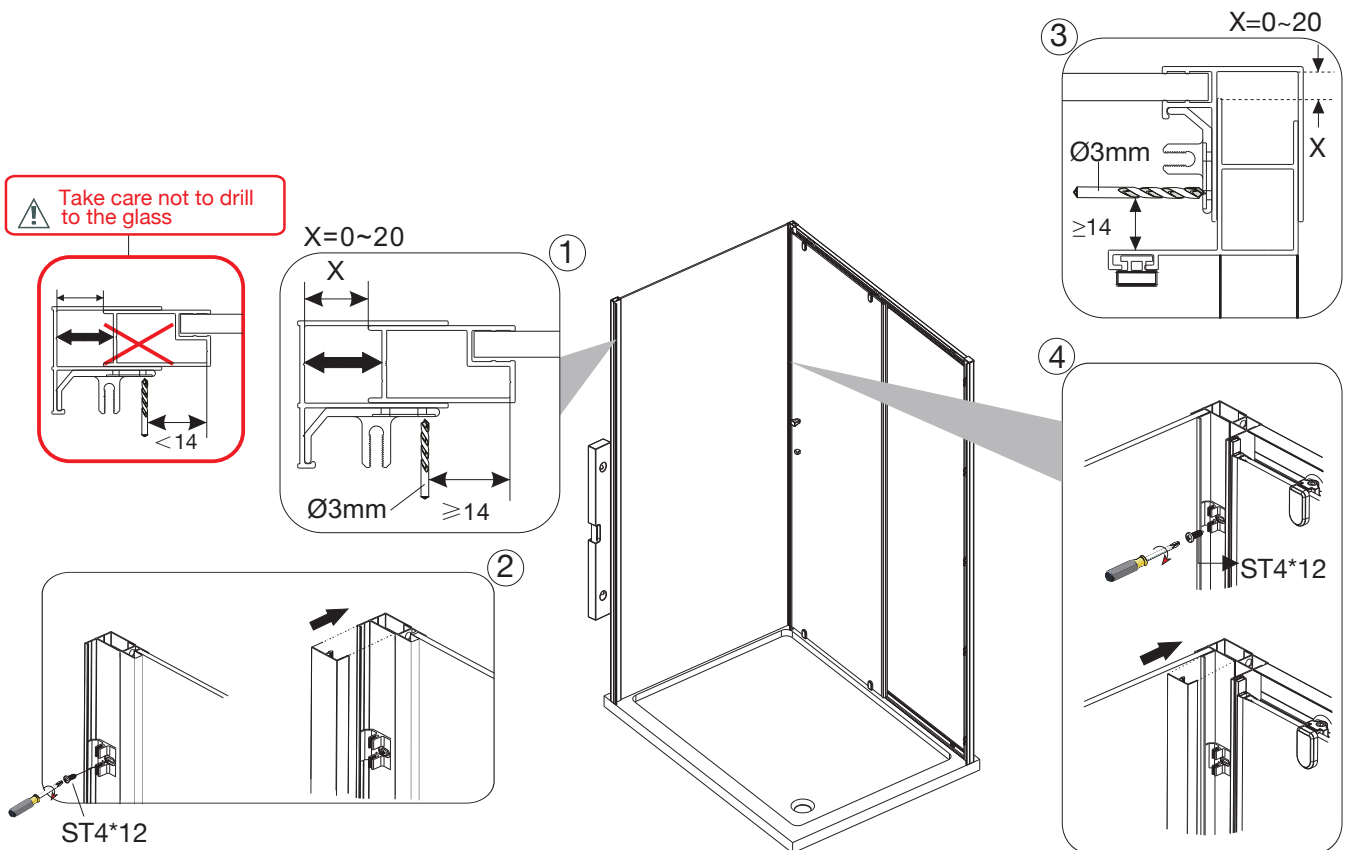


Use wall profile from door

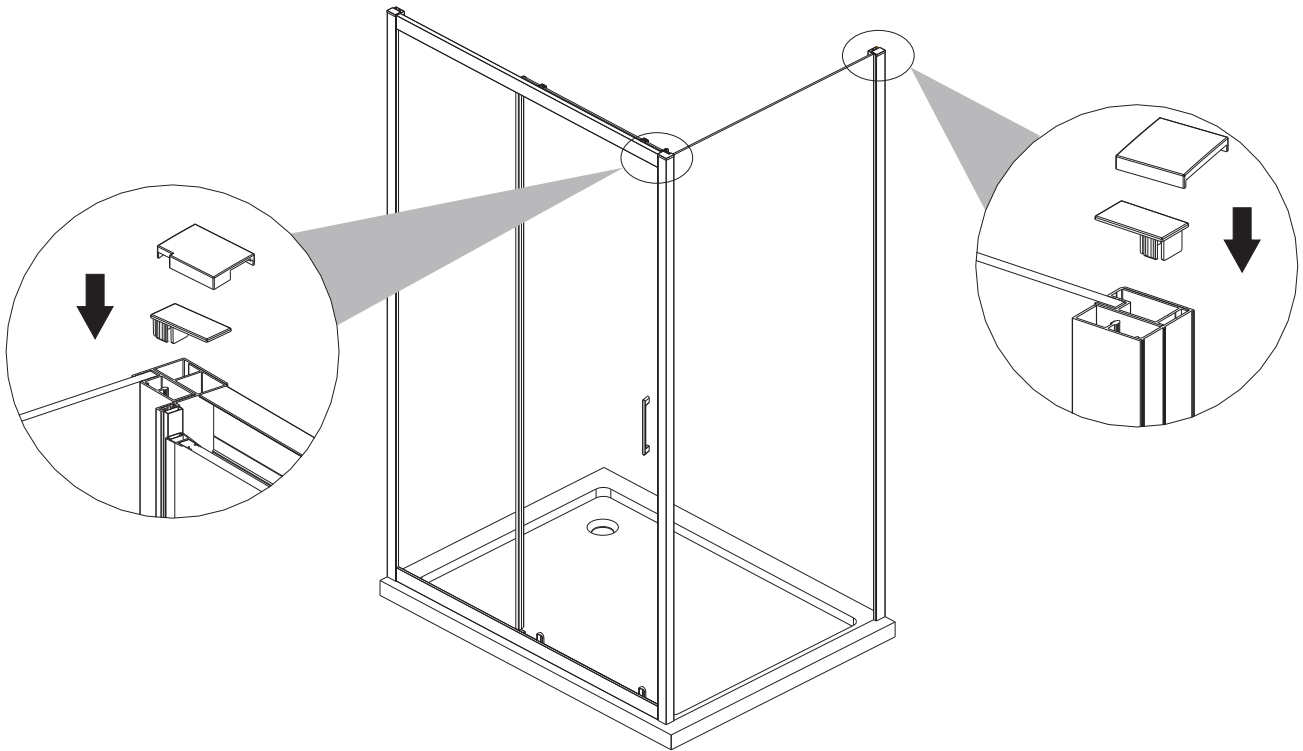
Step 3 SLIDE WALL PROFILE ON TO PANEL



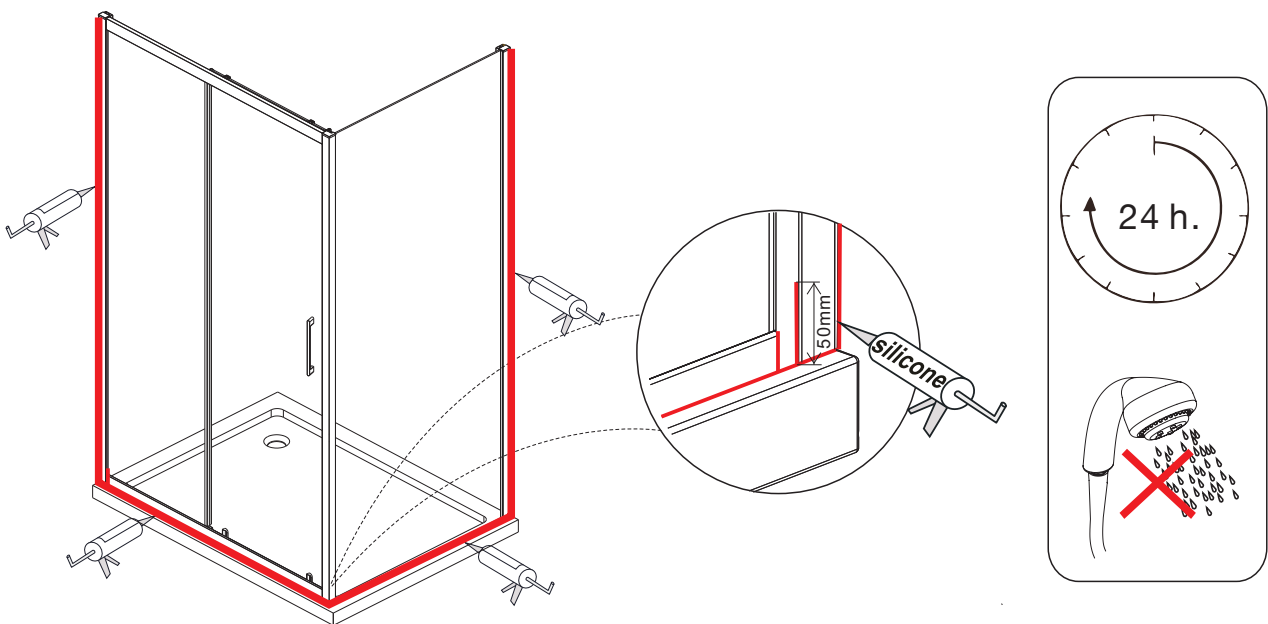
Step 4 SECURING THE COVER STRIP CLIPS AND COVER STRIP



Step 5 FITTING THE TOP CAPS



Step 6 SILICONE THE OUTSIDE EDGES



CARE AND MAINTENANCE

1) AFTER CARE INSTRUCTIONS


Regularly clean your shower product with warm soapy water to prevent lime scale build up. Do not use abrasive cleaning fluids or materials, or strong chemical cleaners as this will damage the product surface.

2) MAINTENANCE

Clean the plastic parts with a cloth and mild detergent. Never use any abrasive creams, dissolvents, acetone or detergents and disinfectants that contain chlorine. The supplier accepts no liability for any type of use of care other than those contained in these instructions. The supplier reserves the right to introduce technical changes without notice.

Quality Assured

Thank you for purchasing an item from the Tissino range of products. The quality of the materials, components and workmanship that have created this product are of the highest standard. We strongly recommend that you use the services of a reputable and qualified plumber to install this product.

|  | | |
|--|-------------|------------------------------------|
| Tissino Ltd. Unit 2, Lyncastle Road, Appleton Thorn, Warrington, Cheshire, WA4 4SN, United Kingdom | | |
| 17 EN 14428:2015 DOP No.: J170711001-2 | | |
| Shower enclosures with aluminium profiles and safety glass | | |
| Essential characteristics | Performance | Harmonised technical specification |
| Cleanability | Pass | Clause 4.2 of EN 14428:2015 |
| Impact resistance/shatter properties | Pass | Clause 4.3 of EN 14428:2015 |
| Durability | Pass | Clause 4.4 of EN 14428:2015 |

TISSINO

Designed to Inspire
Made to Experience

T 0345 582 8000
E info@tissino.co.uk
W tissino.co.uk

Lyncastle Road
Appleton Thorn
Warrington WA4 4SN