

# ALEK BATH FILLER WASTE ASSEMBLY INSTRUCTIONS



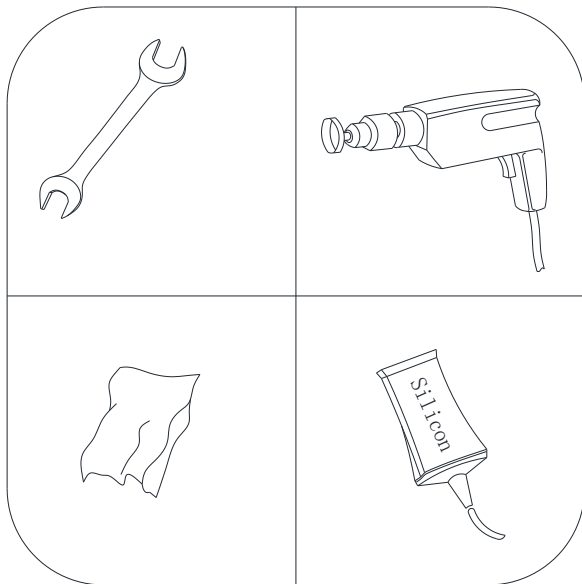
# IMPORTANT INFORMATION BEFORE YOU START

1. KEEP THESE INSTRUCTIONS FOR FUTURE REFERENCE
2. FIT IN ACCORDANCE WITH UK PLUMBING REGULATIONS
3. INSTALL CAREFULLY TO AVOID SCRATCHING THE SURFACE OF THE BATH
4. TAKE EXTRA CARE WHEN FITTING RUBBER PARTS TO ENSURE WATERTIGHT SEAL IS OBTAINED

# ASSEMBLY INSTRUCTIONS AND INSTALLATION

## TOOLS REQUIRED

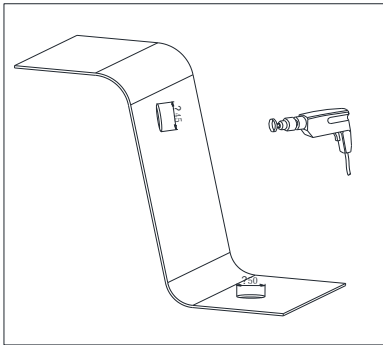
IMAGE & DESCRIPTION OF TOOLS REQUIRED



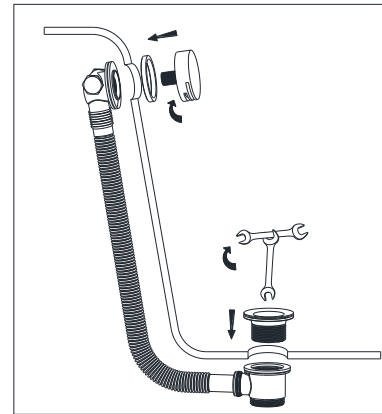
| PART CODE | PART IMAGE | PART QUANTITY |
|-----------|------------|---------------|
| 1         |            | 1             |
| 2         |            | 1             |
| 3         |            | 1             |
| 4         |            | 1             |
| 5         |            | 1             |
| 6         |            | 1             |
| 7         |            | 1             |
| 8         |            | 1             |
| 9         |            | 1             |
| 10        |            | 1             |
| 11        |            | 2             |
| 12        |            | 2             |
| 13        |            | 1             |
| 14        |            | 1             |
| 15        |            | 1             |
| 16        |            | 1             |
| 17        |            | 1             |

# ASSEMBLY INSTRUCTIONS

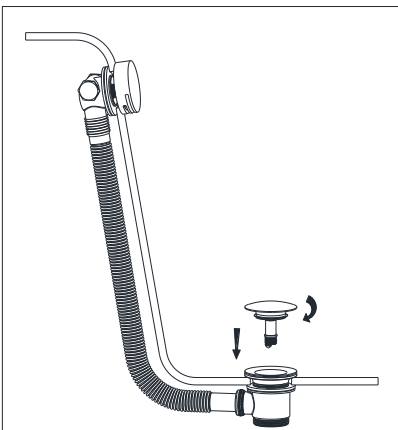
**If you require help we advise you firstly contact a competent plumber**



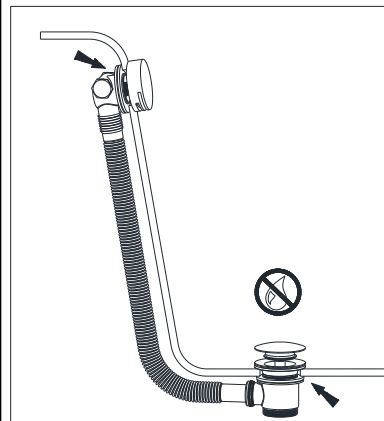
1. BATH HOLE,  
OVERFLOW  $\Phi 45$ ,  
SCUPPER  $\Phi 50$ .



2. INSTALL PARTS AS SHOWN



3. INSTALL PARTS AS SHOWN

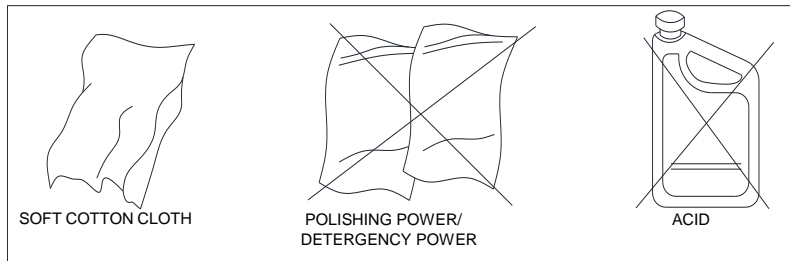


4. CHECK ALL PARTS TO  
ENSURE NO LEAKAGE OF  
WATER

# CARE AND MAINTENANCE

## CARE AND MAINTENANCE

1. WASH REGULARLY, WITH SOFT COTTON CLOTH
2. DO NOT USE ANY ABRASIVE OR ACIDIC CLEANERS



# COMMITMENT TO QUALITY

It is our intention that the quality and functions are of the highest standard.

If you require help we advise you firstly contact a competent plumber

However we understand that this may not always be the case so should you experience any problems please contact us:

0345 582 8000

[info@tissino.co.uk](mailto:info@tissino.co.uk)